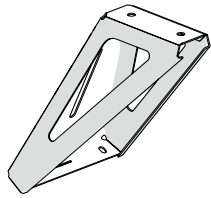


MOUNTAIN TOP[®] **TUB RACK MOUNT KIT**

Installation manual

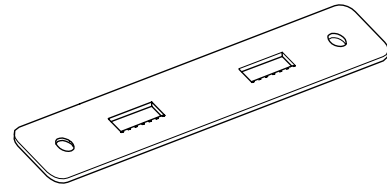
Kit

A



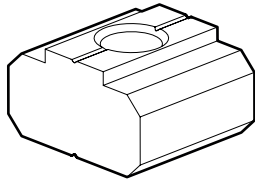
x 4

B



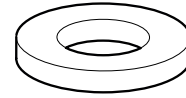
x 4

C



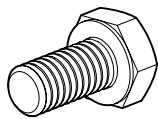
x 8

D



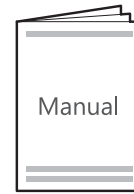
x 8

E



x 8

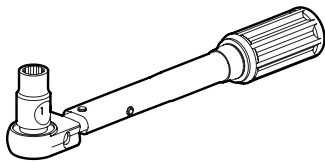
F



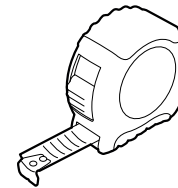
x 1

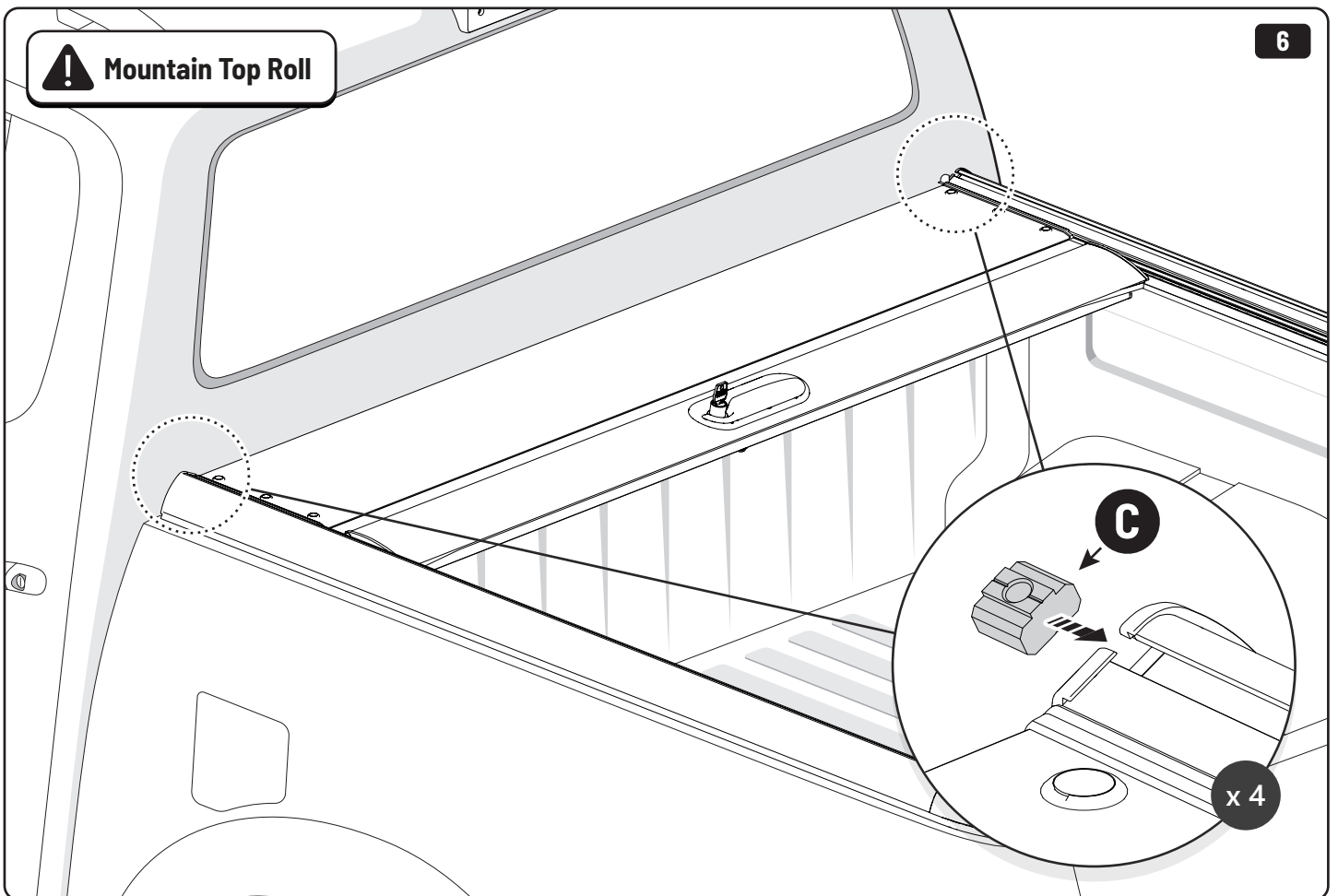
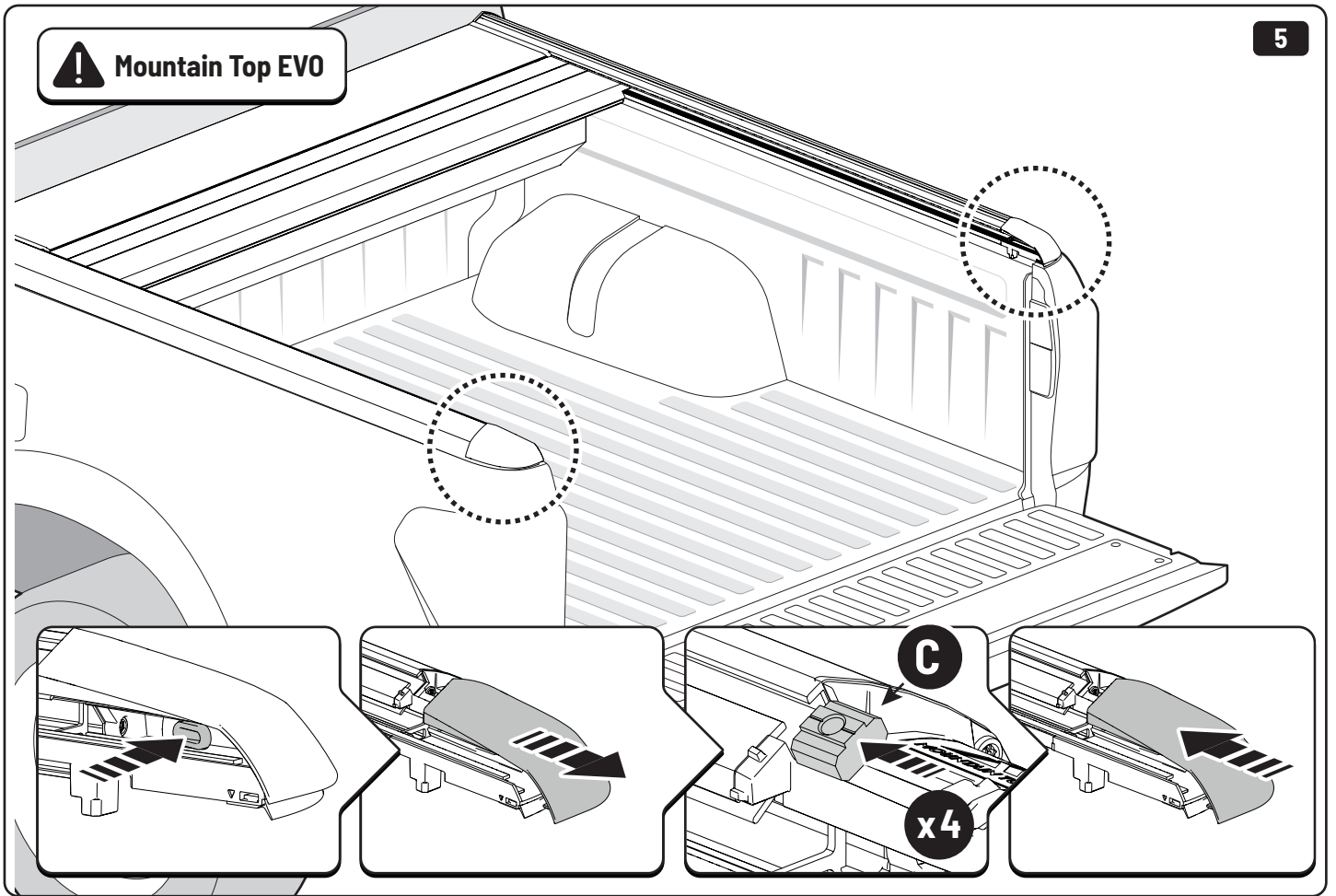
Tools needed

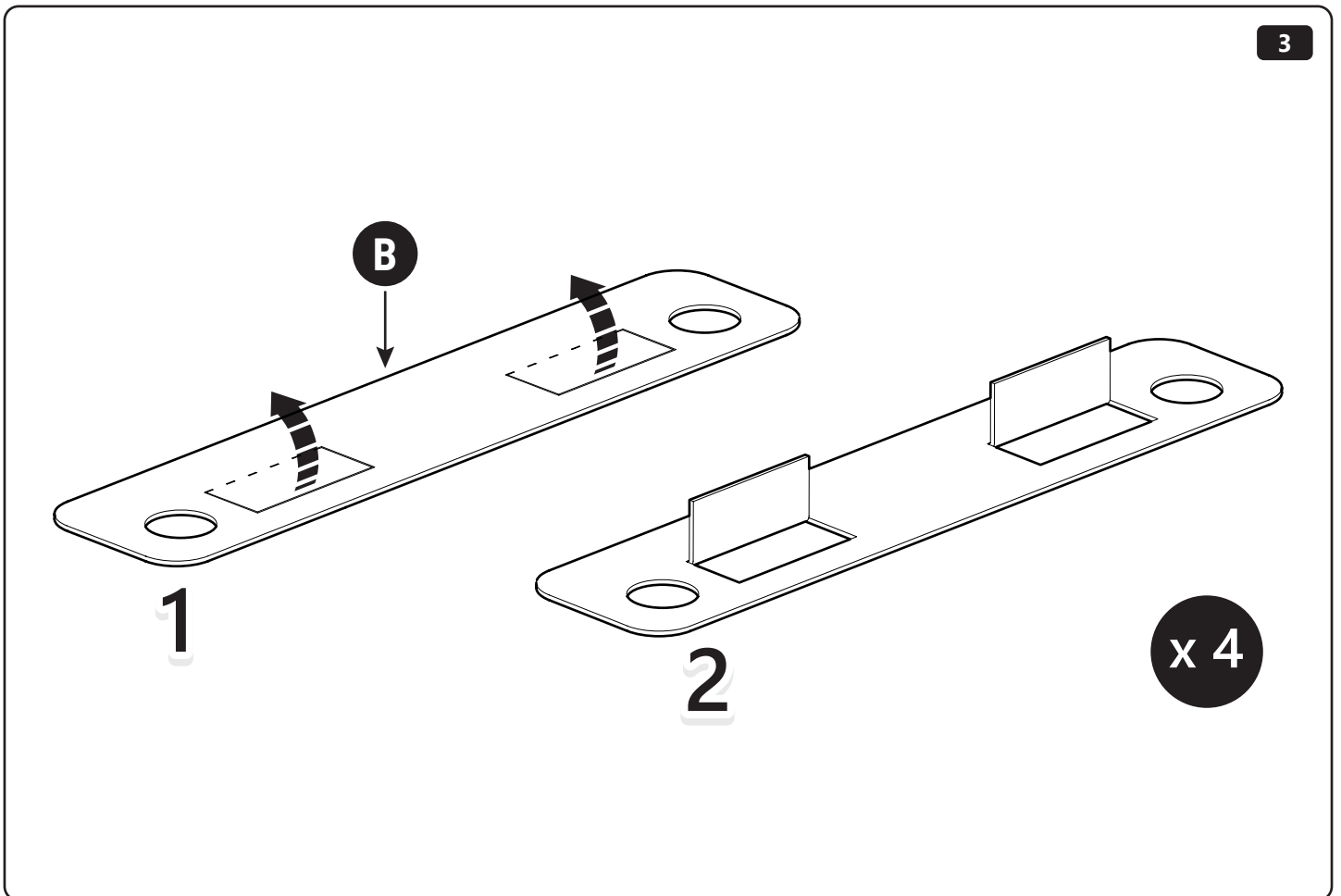
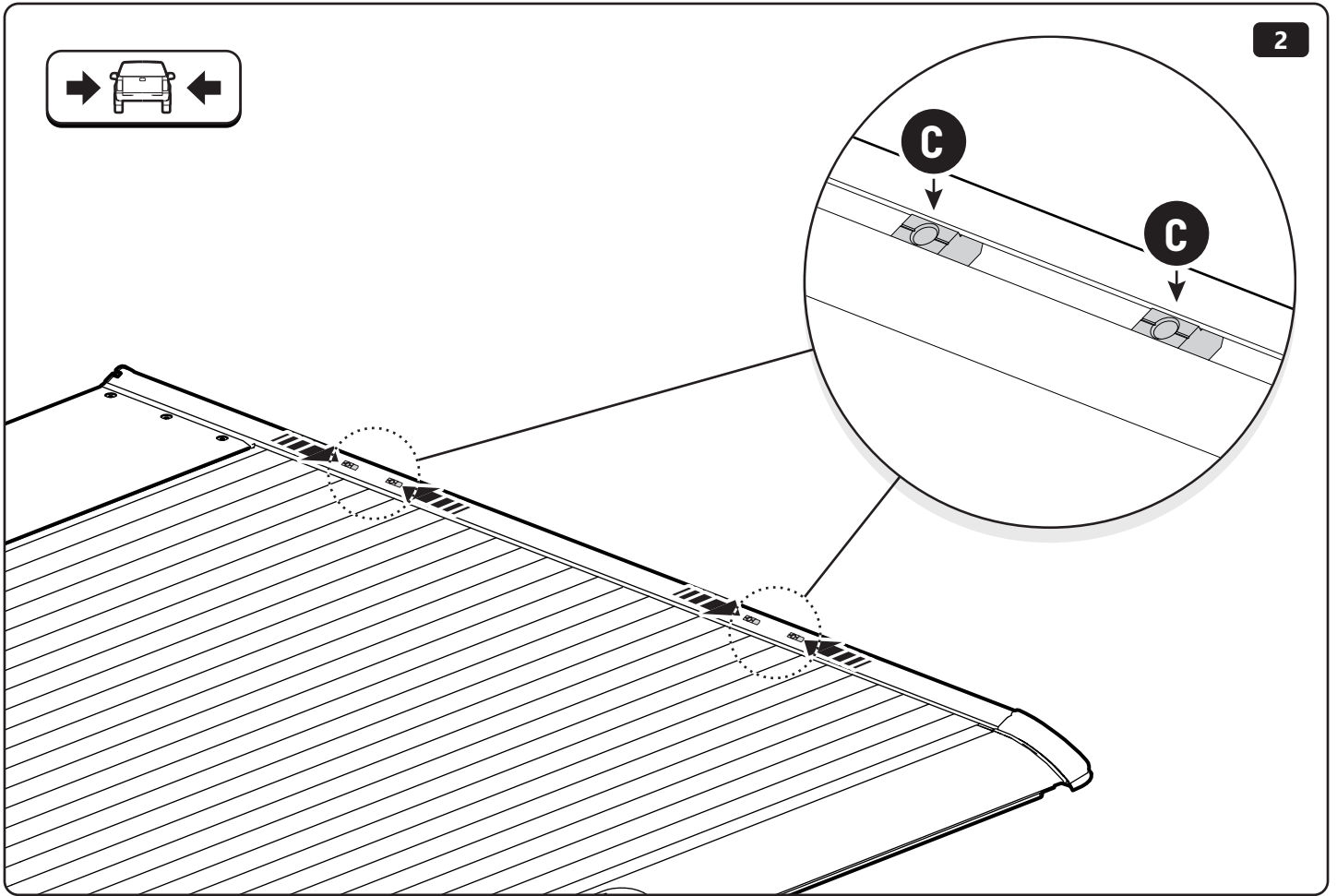
1 - 25 Nm

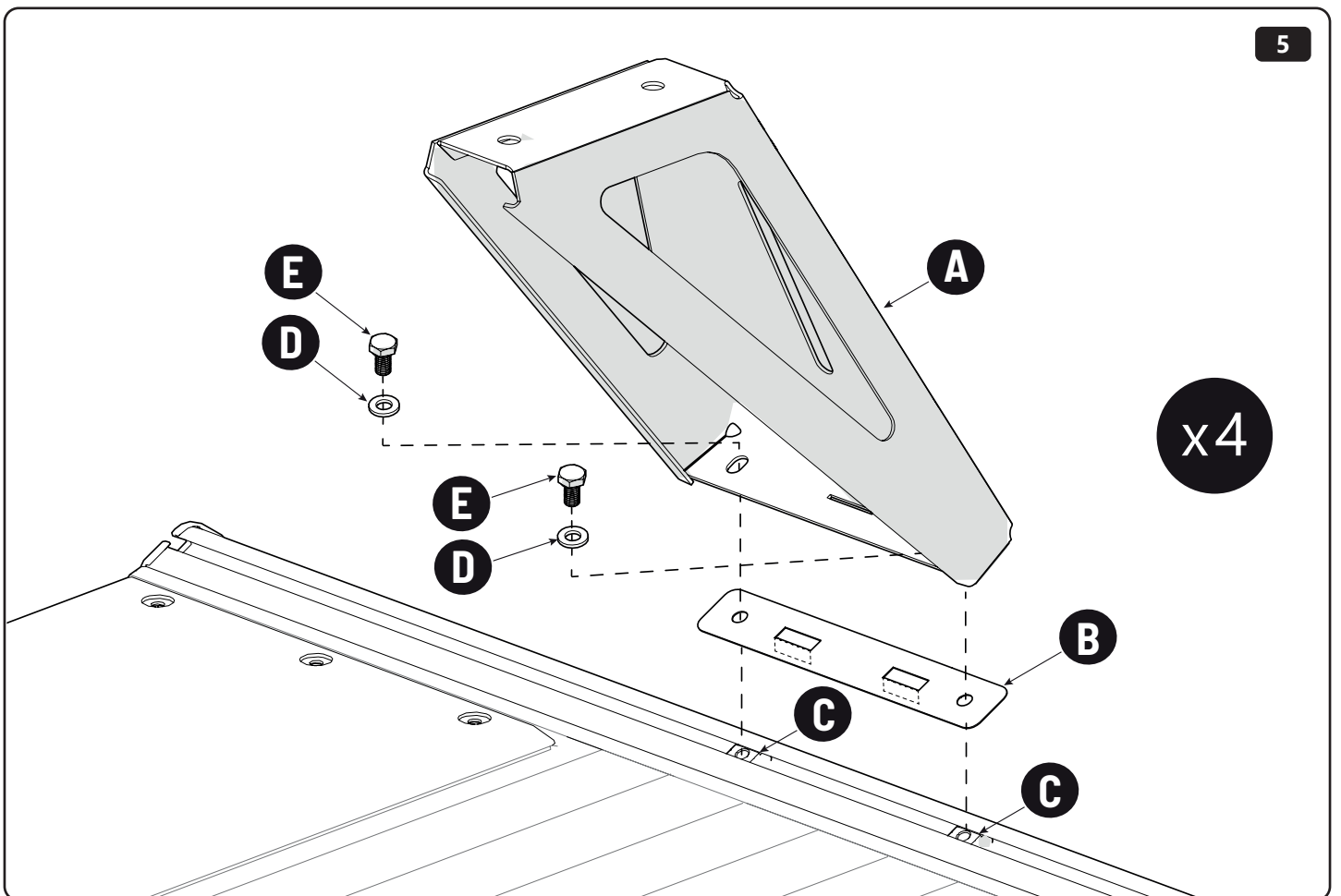
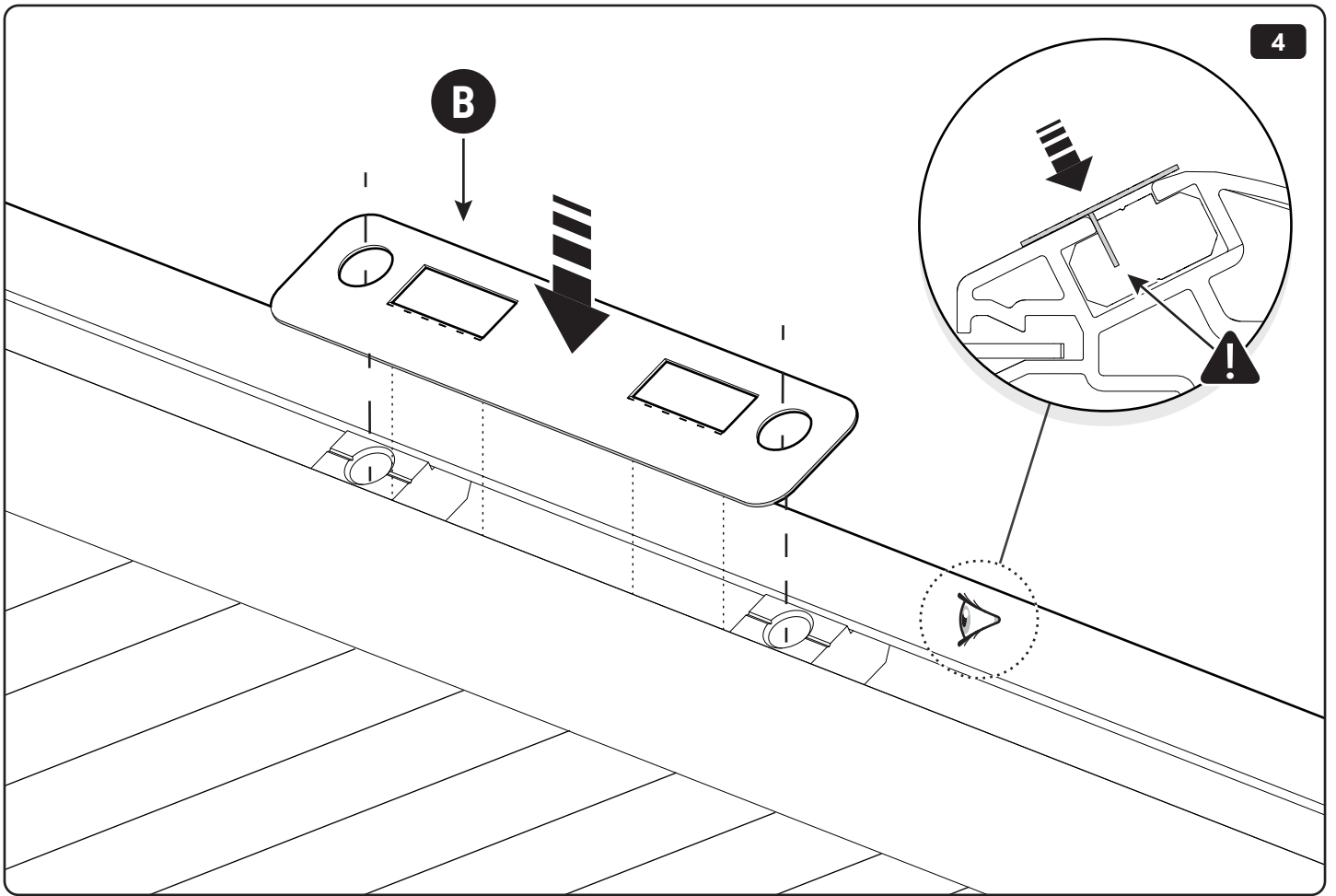


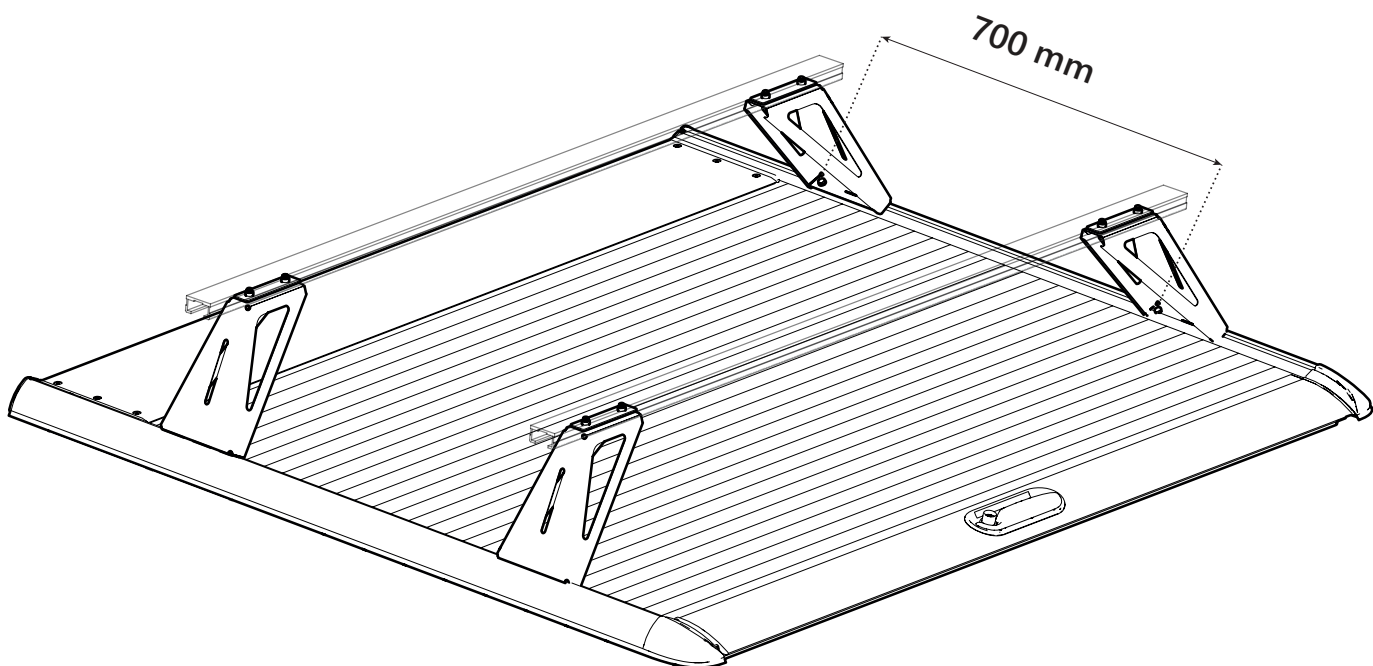
○ 10 mm







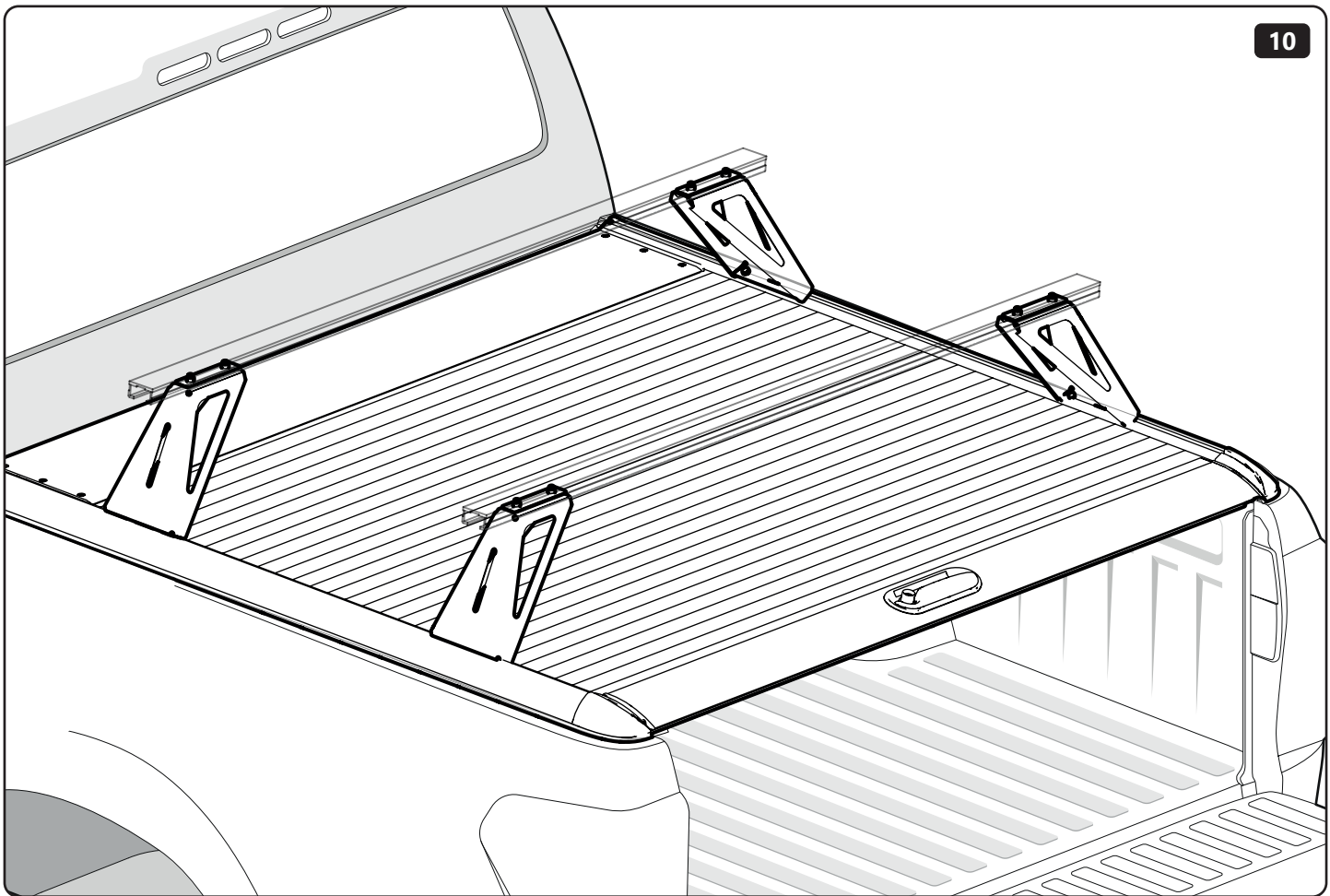
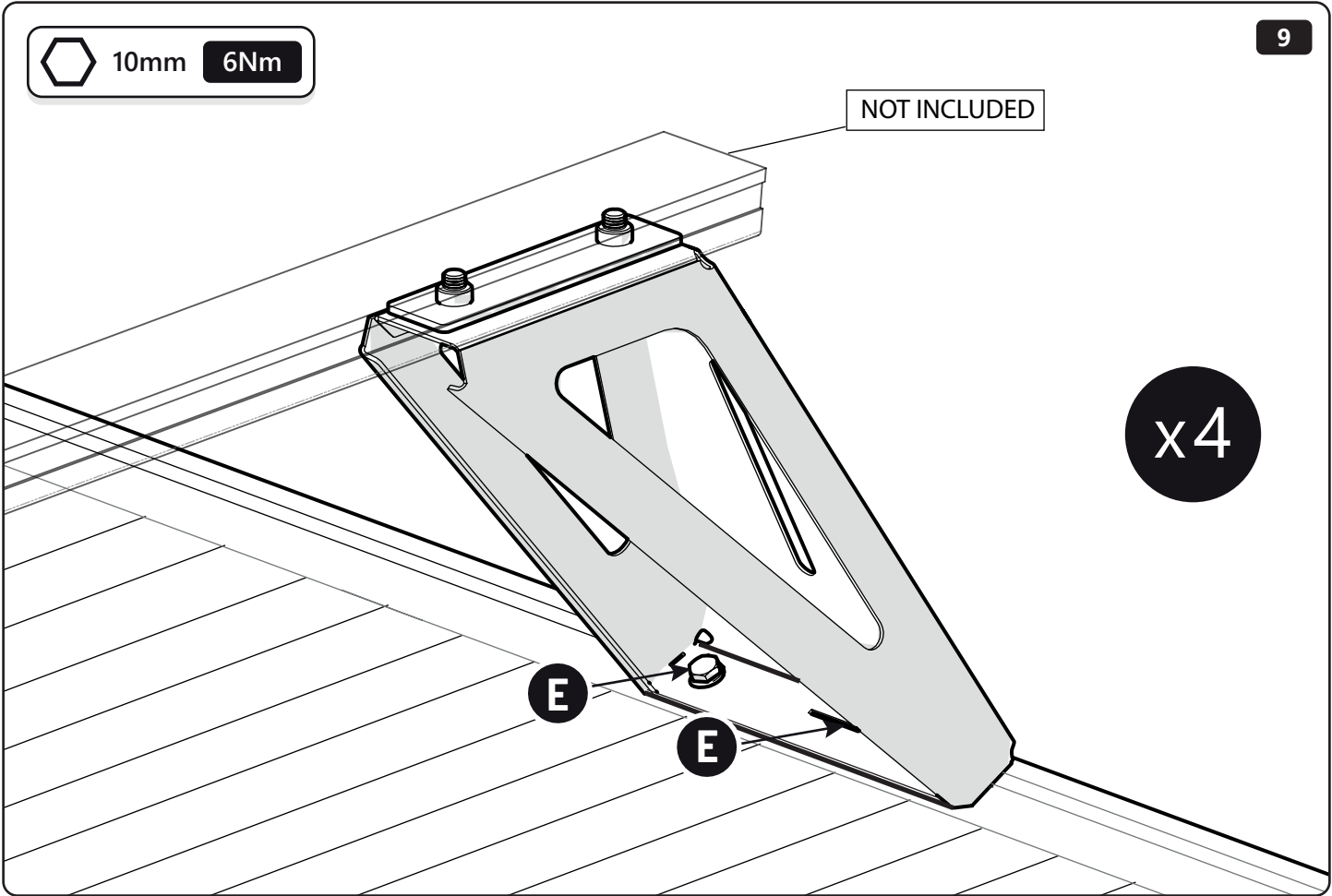




10mm 6Nm

NOT INCLUDED

x4





Customer Service 03 9791 9303 (08:00 - 16:00 CET)
Support info@mountaintop.com.au
Website www.mountaintop.com.au
Address Dandenong South, Victoria 3175, Australia

Part number (s)	Installation time	Weight
TRM 0003, 0004	30 Minutes	4 Kg

GB Installation manual	S Monteringsanvisning	D Einbauanleitung
SF Asennusohje	E Instrucciones de montaje	CZ Návod k instalaci
F Notice de montage	H Szerelési utasítás	I Istruzioni de montaggio
PL Instrukcja montażu	P Instruções de instalação	GR Οδηγίες Εγκατάστασης
NL Installatie-instructies	RUS Инструкция по установке	DK Monteringsvejledning
TR Montaj Talimatı	N Monteringsveiledning	RO Instructiuni de instalare